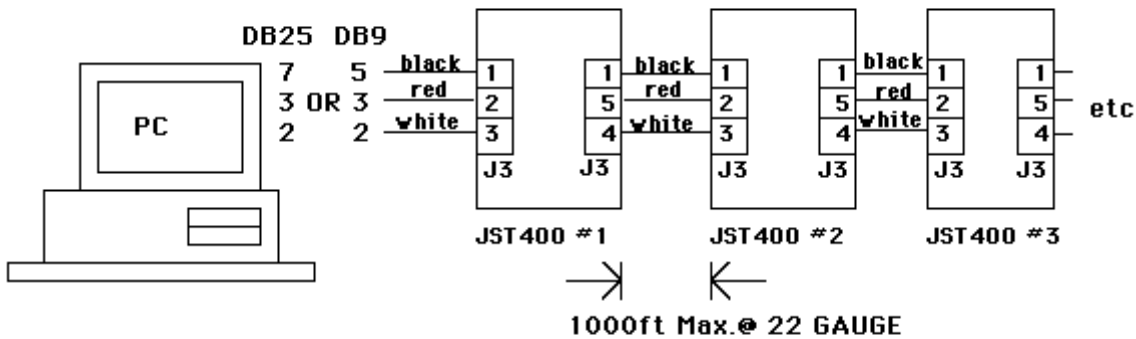


1. USE JUMPER SWITCH JP1-JP4 TO SELECT N/O OR N/C FOR ELECTRIC LOCK 1-4
2. INSTALL A DIODE AS SHOWN FOR DC DOOR LOCK. (NO DIODE NEEDED FOR AC)
3. USE SEPARATE POWER SUPPLIES FOR JST400 AND ELECTRIC LOCKS.
4. USE DOOR LOCK RATED: VOLTAGE < 25 VOLTS AND CURRENT < 2 AMPS

1000ft MAX. @ 22 GAUGE



1. The JAS1000 software can handle maximum 32 JST400s.
2. Use 22 AWG shielded cable for communication between JST400s and PC.
3. Earth ground the cable shielding to avoid static and interference.
4. Use +12VDC, 1.5 Amp, regulated power supply for JST400.